

TITLE: AWEVAL_Rev1_01	
Document Number:	REV:
Date: 22/06/2009 03:47:18p	Sheet: 1/4

1

2

3

4

5

6

E

E

D

D

C

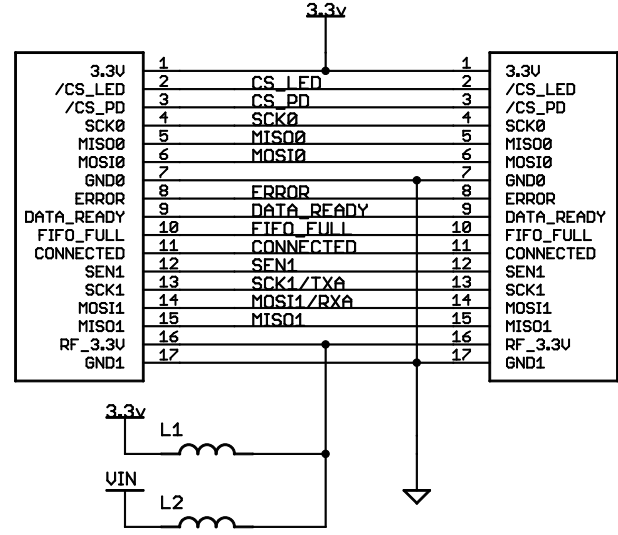
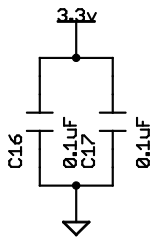
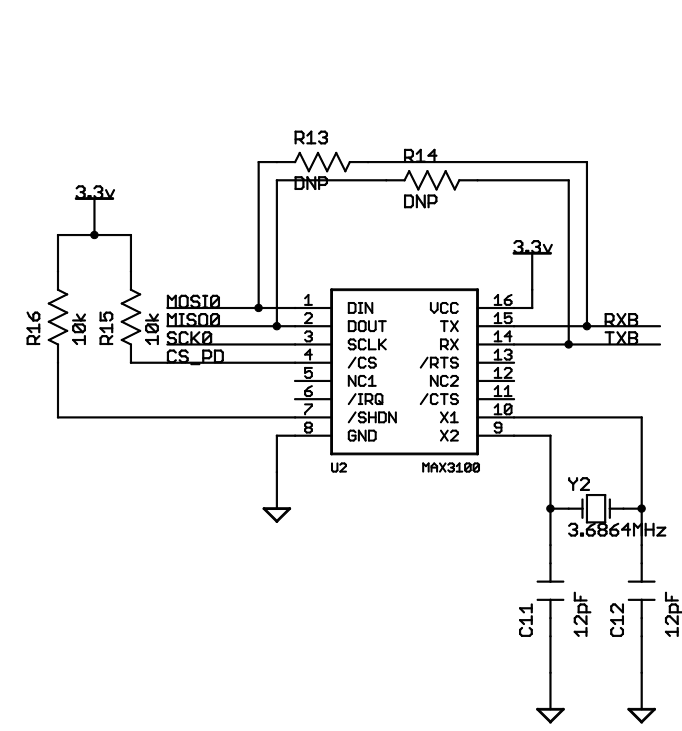
C

B

B

A

A



TITLE: AWEVAL_Rev1_01	
Document Number:	REV:
Date: 22/06/2009 03:47:18p	Sheet: 2/4



1

2

3

4

5

6

E

E

D

D

C

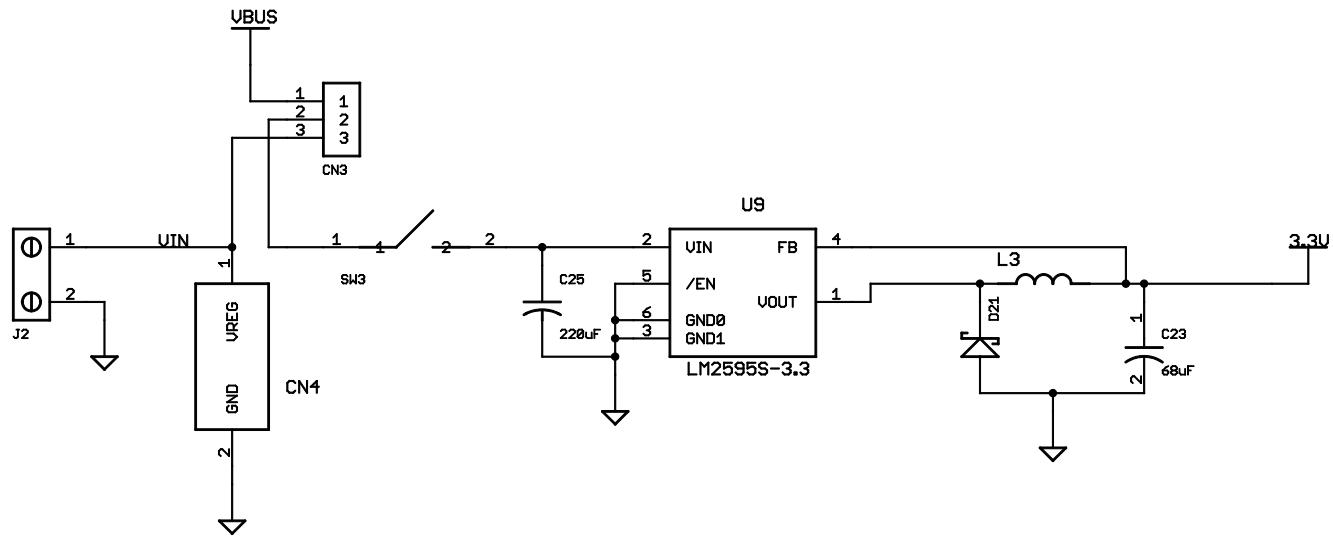
C

B

B

A

A



TITLE: AWEVAL_Rev1_01	
Document Number:	REV:
Date: 22/06/2009 03:47:18p	Sheet: 4/4